



Tillage Traders QLD

86-96 Industrial Avenue, Toowoomba QLD 4350

Phone: (07) 4634 0800 • Fax: (07) 4634 0522

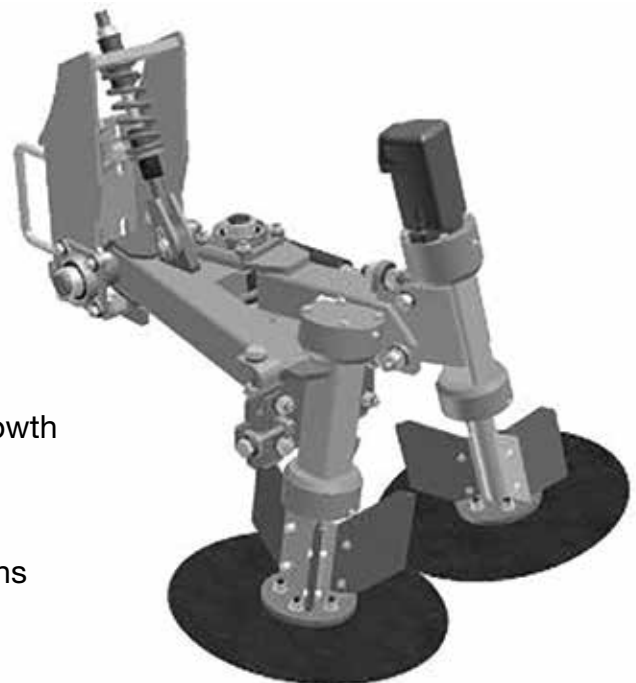
Web: www.ttq.net.au • Email: sales@ttq.net.au



Scorpion Root Cutters

Features:

- Unique patented hydraulic breakaway system
- Eliminates constant blockages & disc flips
- High speed, efficient operation
- Leaves trash evenly spread in fields
- Excellent penetration for deep cutting to eliminate re-growth
- Breakaway pressure hydraulic accumulator controlled
- Made to suit mulchers and toolbars of various dimensions
- Available in 4, 6, 8 & 12 row



The Ultimate in Root Cutting Efficiency:

The Series III Scorpion Root Cutter is designed for simplicity, resulting in less moving parts, a higher manufacture quality, and easier operation adjustments than other root cutters.

Most importantly, the Scorpion's hydraulic break away system is designed to give you more quality operating hours in the field. The latest model achieves at least 90% less blockages, disc flips, piles of trash and rows of uncut cotton roots compared to previous models. More acres are achieved with the new features including bleed screws on cylinder, horizontal and vertical adjustments and rotary flow dividers for even more flow. The Scorpion Root Cutter provides an excellent penetration for deep cutting to eliminate re-growth.

Scorpion Root Cutters are manufactured to suit most crop configurations, including solid, single skip, double skip and more if necessary. They will suit row spacings of 30 inches and upward and the row units are staggered forward and back to assist with trash flow. Some mulchers do need extra modifications to fit the Scorpions.



History:

The Scorpion Root Cutter was designed when Lindon Smith, owner of TTQ, started his business in 1996, contract mulching and root cutting in the one pass. After three years of trial and error and many setbacks during this time, Lindon finally came up with a way to root cut without disc flips, block ups and with easier set up.

As the years have passed, improvements have been made to help with 2 m beds, dryland, adjustments, reliability and wear and tear.

If you are in the market for root cutters, the Scorpion Series III will be an asset to your operation, from operator user ability, fatigue, quality of job done for now and future passes, and quantity of hectares done in a day.

